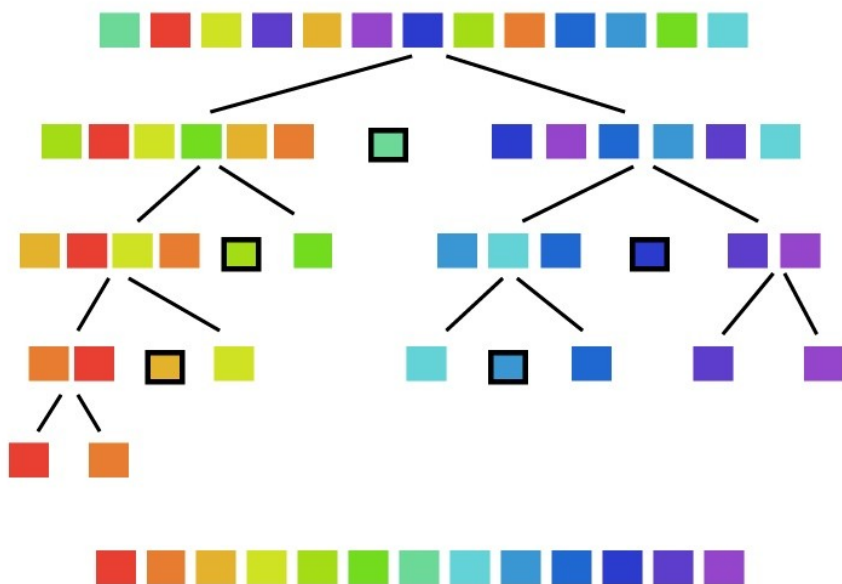


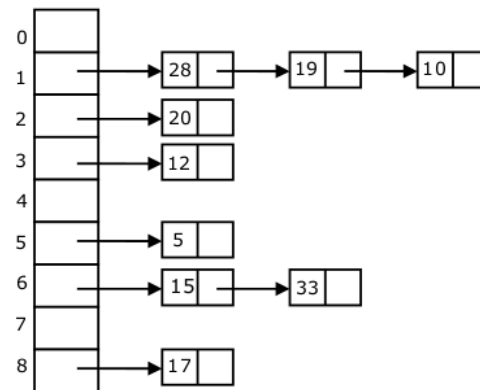


Randomized and Online Algorithms

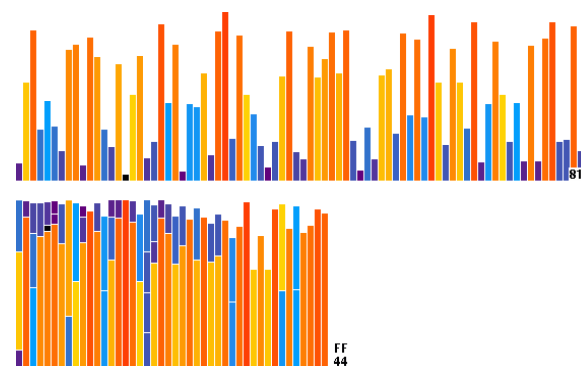
How many comparisons does Quicksort need “on average”?



How many elements are in each bucket of a hashmap “on average”?



What is the best packing of “arriving” items into unit-sized bins?



Lecture
Instructor
Term
Weekdays
Room
Website

Randomized and Online Algorithms (6 ECTS)
 Dr. Alexander Souza
 Spring 2018
 Tuesday 8:15-9:45, Thursday 8:15-9:45
 BIN-2.A.01
<http://www.optineon.com/academics.html>